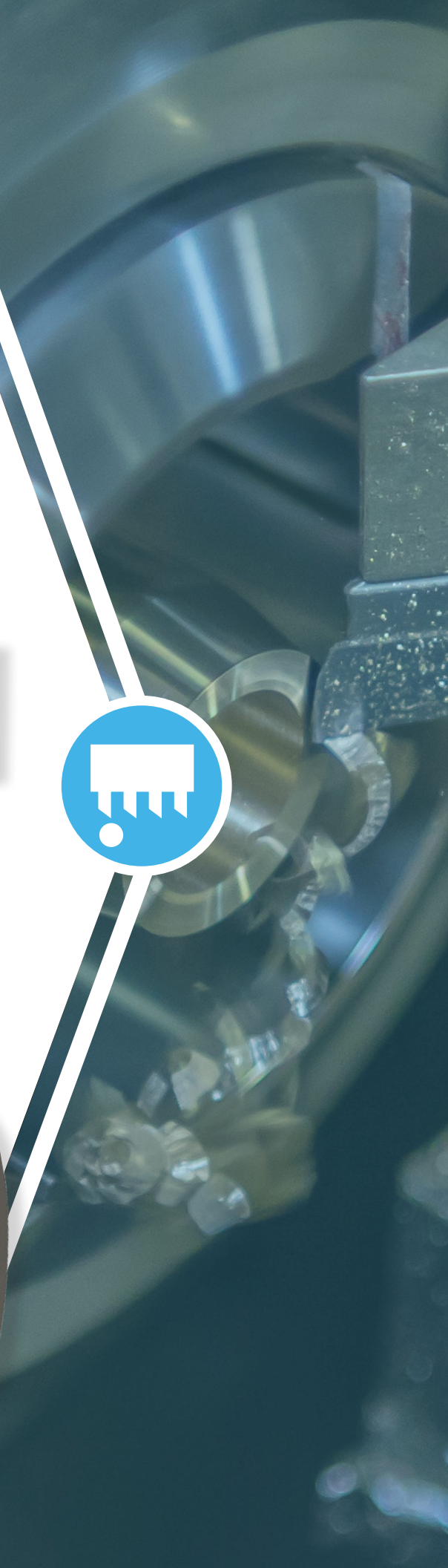
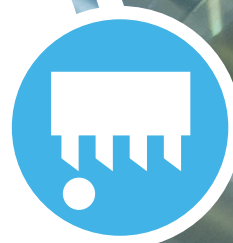
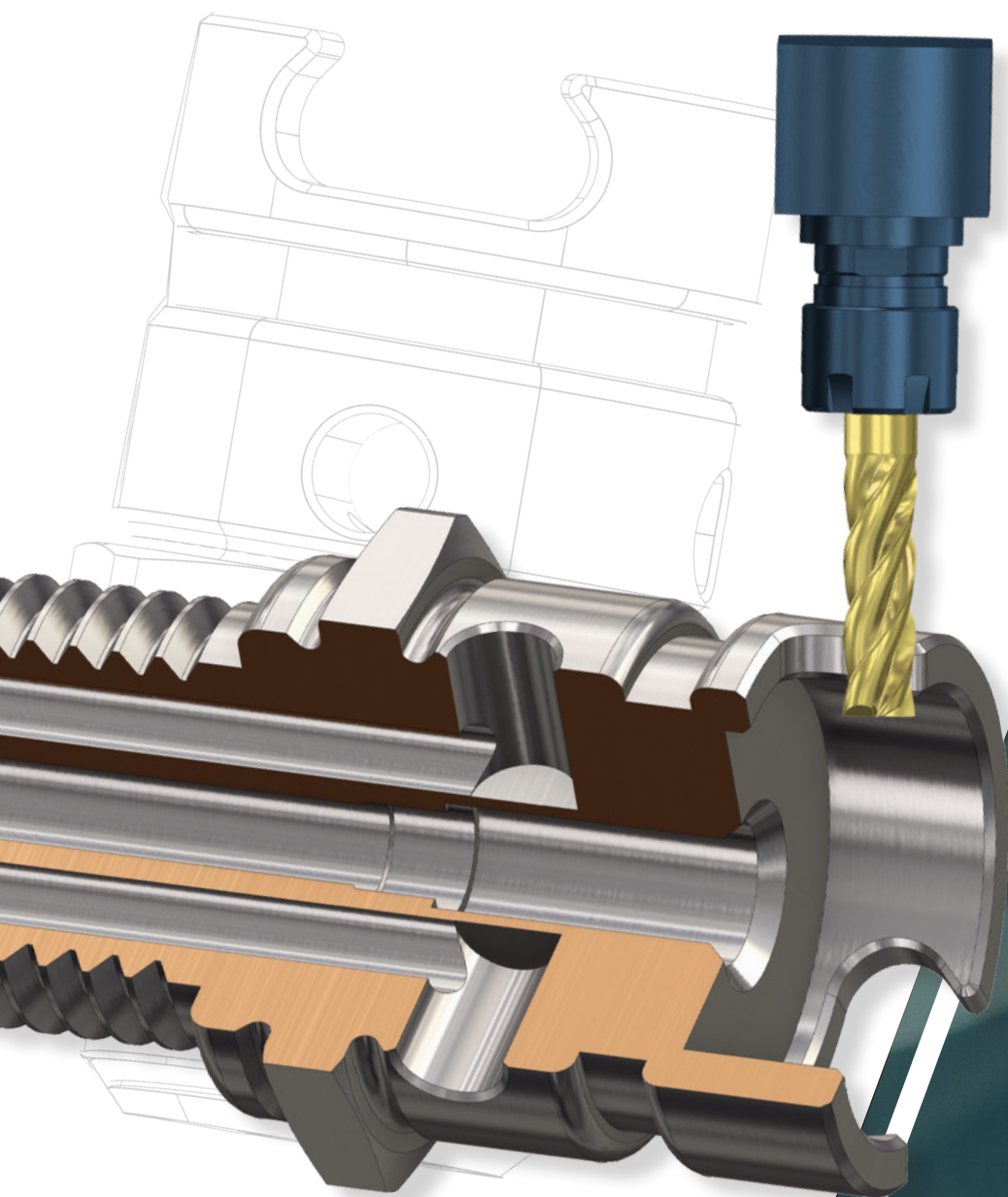


**Mastercam**

# SWISS

Use the intuitive Mastercam platform to drive Swiss-style machines with powerful accuracy.



# CUSTOMIZED, BUNDLED TECHNOLOGY

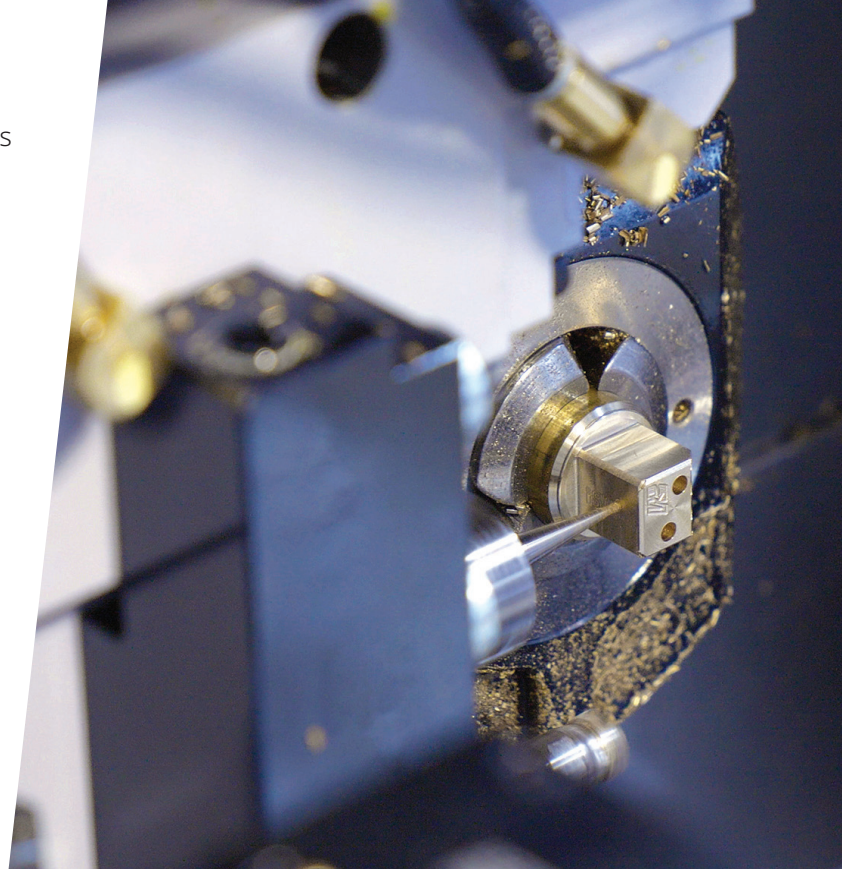
## Consolidated software can standardize your shop.

You no longer need a separate software package for Swiss machines — something programmers and machinists appreciate.

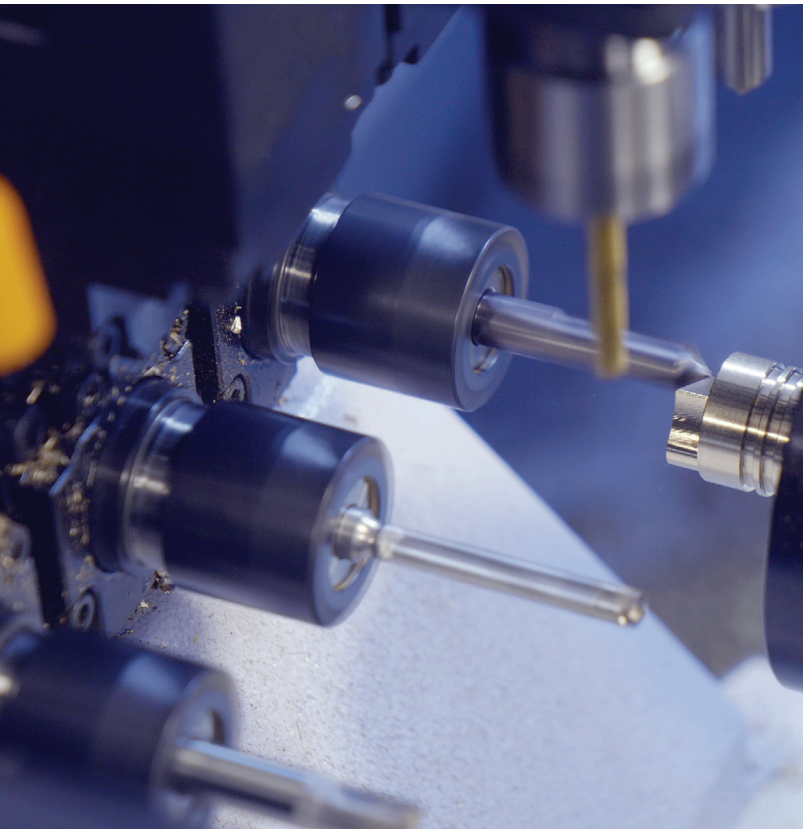
Our Swiss machining solutions combine Mastercam Mill and Mastercam Lathe with specialized post processors. This configuration adds machine-specific controls inside the Mastercam interface, delivering accurate G-code for a wide variety of Swiss machines.

The solution provides customized choices directly within Mastercam for:

- Swiss-style bar feed stock advance.
- Machine-specific setup parameters.
- Swiss-style pick off / cut off strategies.
- Expandable custom machine options including lasers, high-frequency turning, high-pressure coolant, and more.



*Mastercam's industry-leading milling and turning power combine to deliver efficient, precise Swiss programming.*



## Support an array of Swiss machines with the ease of Mastercam.

Mastercam Swiss Solutions cover gang-style machines and limited gang-turret and B-axis machines. Optimized post processors are available for machines from manufacturers including:

- Star
- DMG MORI
- Tsugami
- Hanwha
- Citizen
- Ganesh
- Swistek
- Nexturn

*Machine-specific options within Mastercam ensure you have precise control and solid code.*

Your Dealer:



**TECHTOWN PTE LTD**  
8 Burn Road Trivex, #05-12  
Singapore 369977  
Tel: +65 6636 8215  
Email: [info@techtown.com.sg](mailto:info@techtown.com.sg)  
Website: [www.techtown.com.sg](http://www.techtown.com.sg)

Your Partner in Singapore, Indonesia, Thailand, Vietnam & Myanmar